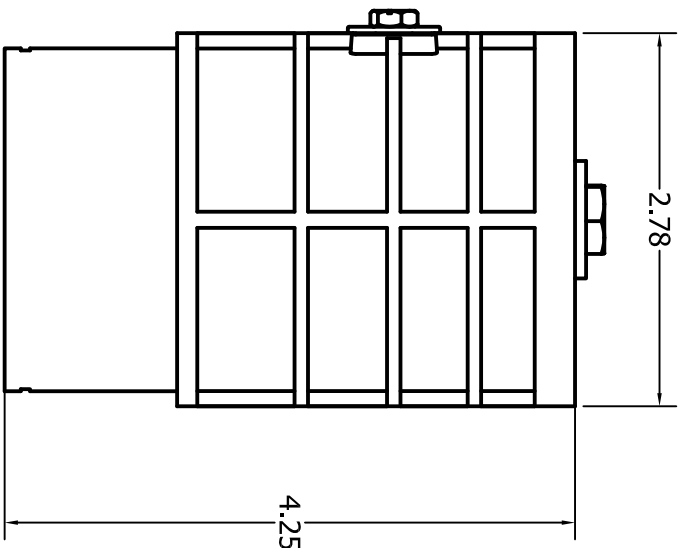
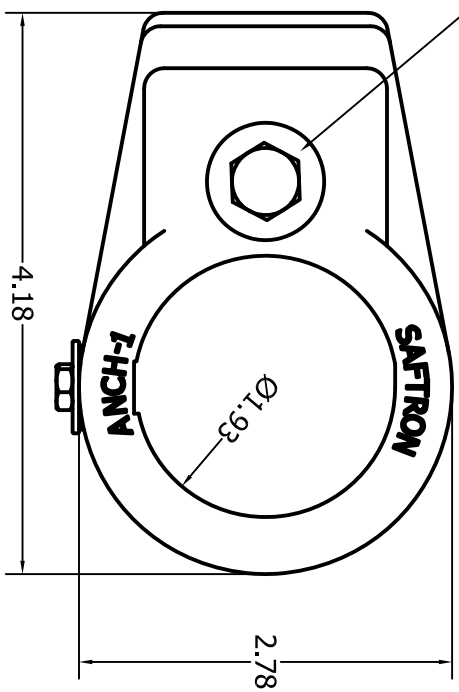
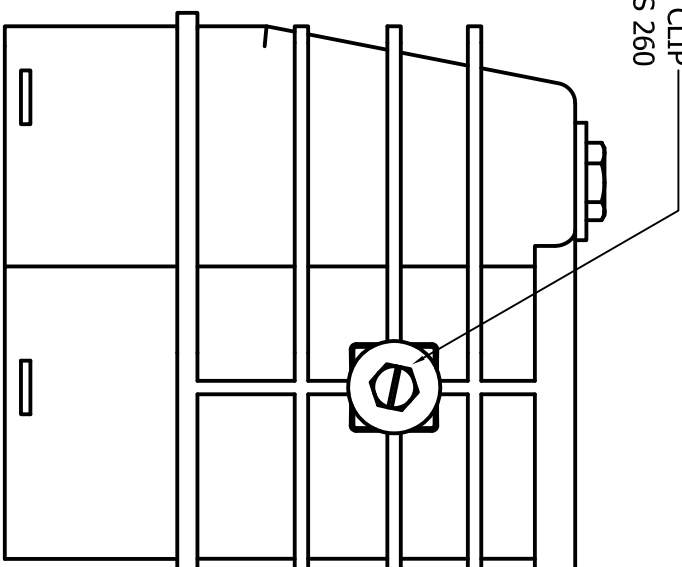


5/16" 304-SS
 HEX BOLT & NUT
 TO TIGHTEN WEDGE



GROUNDING CLIP
 BRASS 260



ANCH-1
SAFTRON ANCHOR SOCKET